

INSTALLER: LEAVE THIS MANUAL WITH THE APPLIANCE.
CONSUMER: RETAIN THIS MANUAL FOR FUTURE REFERENCE.



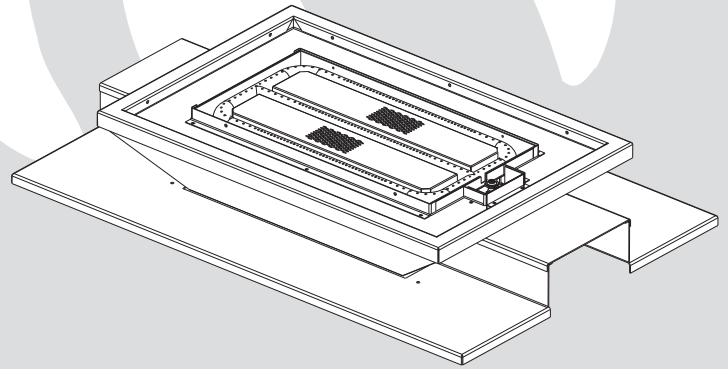
INSTALLATION AND OPERATING INSTRUCTIONS

CERTIFIED UNDER CANADIAN AND AMERICAN NATIONAL STANDARDS: CSA 2.33, ANSI Z21.88 FOR VENTED GAS FIREPLACE HEATERS.

HD81 RIVER ROCK / STONE BURNER ASSEMBLY

B81NS
NATURAL GAS

B81PS
PROPANE



CERTIFIED FOR CANADA AND UNITED STATES USING ANSI/CSA METHODS.

SAFETY INFORMATION

! WARNING

If the information in these instructions are not followed exactly, a fire or explosion may result causing property damage, personal injury or loss of life.

- Do not store or use gasoline or other flammable vapors and liquids in the vicinity of this or any other appliance.
- WHAT TO DO IF YOU SMELL GAS:
 - Do not try to light any appliance.
 - Do not touch any electrical switch; do not use any phone in your building.
 - Immediately call your gas supplier from a neighbour's phone. Follow the gas supplier's instructions.
 - If you cannot reach your gas supplier, call the fire department.
- Installation and service must be performed by a qualified installer, service agency or the supplier.



Wolf Steel Ltd., 24 Napoleon Rd., Barrie, ON, L4M 4Y8 Canada /
103 Miller Drive, Crittenden, Kentucky, USA, 41030

Phone (705)721-1212 • Fax (705)722-6031 • www.napoleonfireplaces.com • ask@napoleonproducts.com

TABLE OF CONTENTS

1.0	GENERAL INFORMATION	2
2.0	INSTALLATION	2
2.1	ACCESS PANEL	2
2.2	BURNER ASSEMBLY	2
2.3	BULKHEADS	3
2.4	NIGHT LIGHT™ INSTALLATION	3
2.5	PORCELAIN BASE INSTALLATION	4
2.6	BURNER COVER INSTALLATION	4
2.7	ROCK INSTALLATION	5
3.0	ADJUSTMENT	6
3.1	FLAME CHARACTERISTICS	6
3.2	VENTURI ADJUSTMENT	6
4.0	REPLACEMENTS	7

NOTE: Changes, other than editorial, are denoted by a line in the margin.

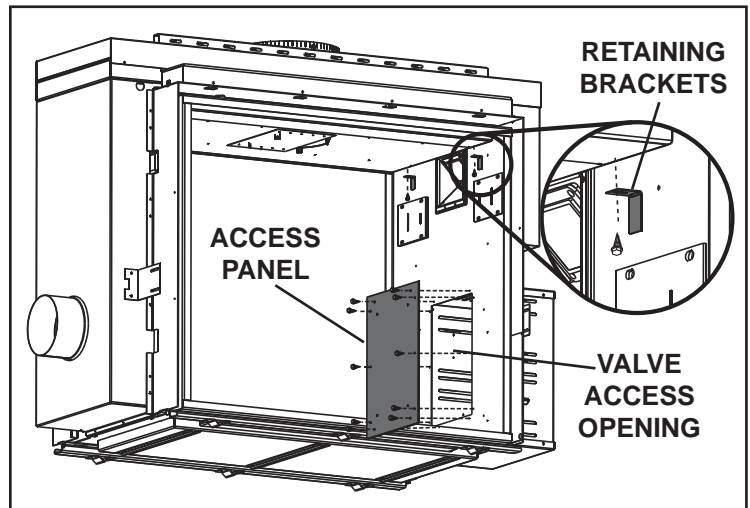
1.0 GENERAL INFORMATION

This rock burner assembly is approved for use in the HD81 gas appliance only. It is not approved for use as a stand alone appliance or in conjunction with any other appliance.

2.0 INSTALLATION

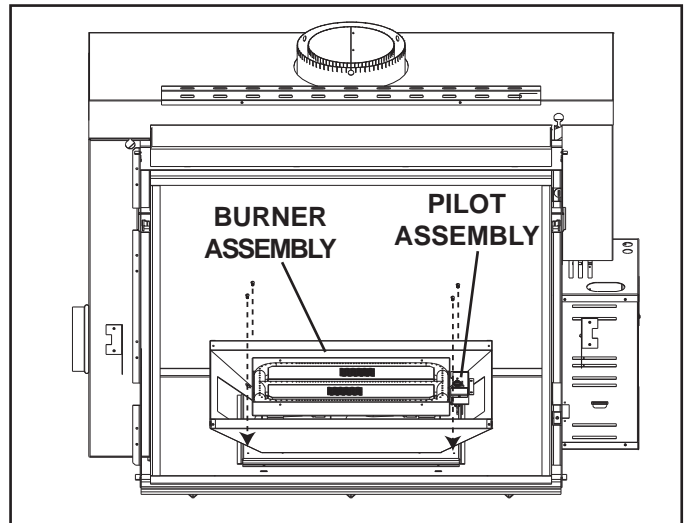
2.1 ACCESS PANEL

- A. Once either door is removed (if required, see HD81 Installation Instructions), remove the valve access panel and the 4 retaining brackets located at the top of the firebox.



2.2 BURNER ASSEMBLY

- A. Attach the burner assembly to the firebox base with the screws supplied, making sure the pilot assembly is closest to the valve access opening.



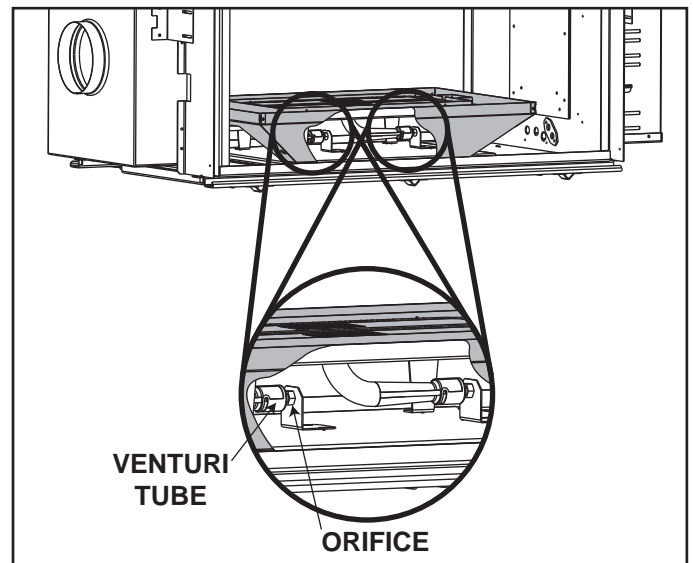
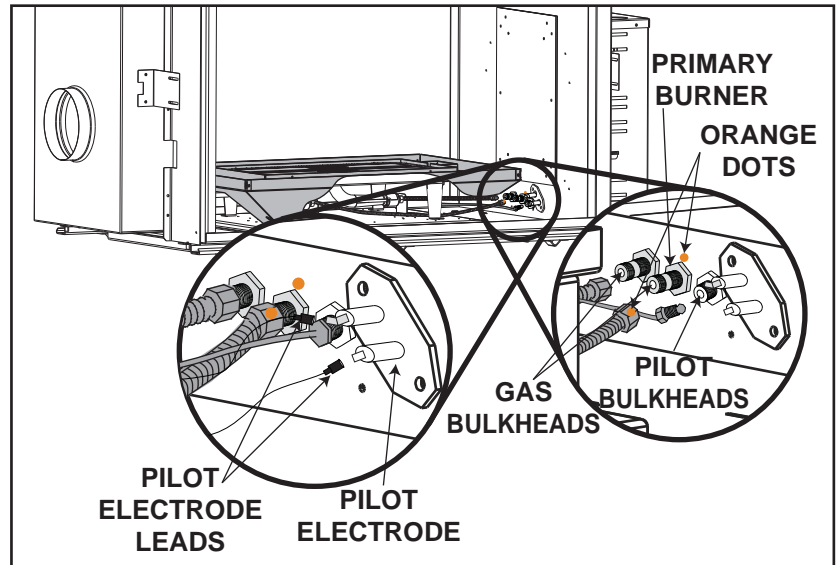
2.3 BULKHEADS

NOTE: Bulkhead covers need to be removed.

- A. Connect the gas flex lines and the pilot line to the gas bulkheads located under the valve access opening. Be sure to match up the gas manifold marked with an orange dot with the center bulkhead, also marked with an orange dot. Care must be taken to ensure the pilot line isn't damaged and ensuring gas tight connections are made.

NOTE: The middle tube is the primary burner and can not be turned off. The outside burner can be turned on and off with the remote. If this isn't the case then switch the flex lines.

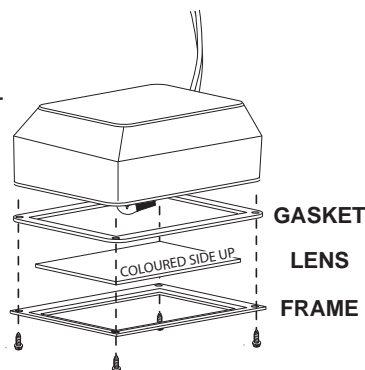
- B. Connect the pilot electrode leads to the bulkhead. The leads can only fit one way. You need to match the 1/4" flag with the 1/4" bulkhead spade and the 3/16" flag with the 3/16" spade.
- C. Ensure the 2 venturi tubes are over the orifices before lighting. **NOTE:** It is recommended at this stage to do an operational check before finishing installation.
- D. Check for gas leaks by brushing on a soap and water solution. Do not use open flame.
- E. After leak test has been performed re-install access panel with gasket. (If removed)



2.4 NIGHT LIGHT™ INSTALLATION

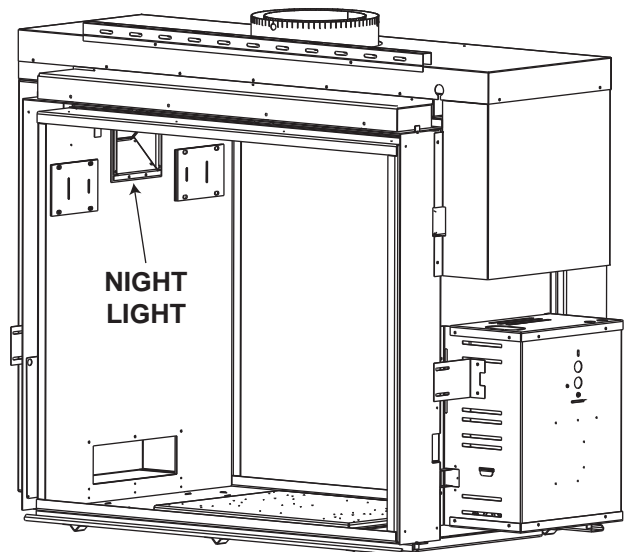
Your HD81 comes equipped with 2 "Night Lights™".

The lights have been pre-wired and are controlled from the remote control. Included with the burner assembly are the frames, lenses and gaskets that need to be installed as illustrated.



THE FIREBOX MUST BE SEALED.

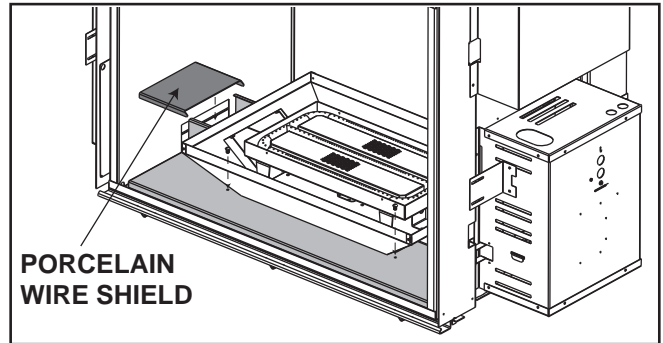
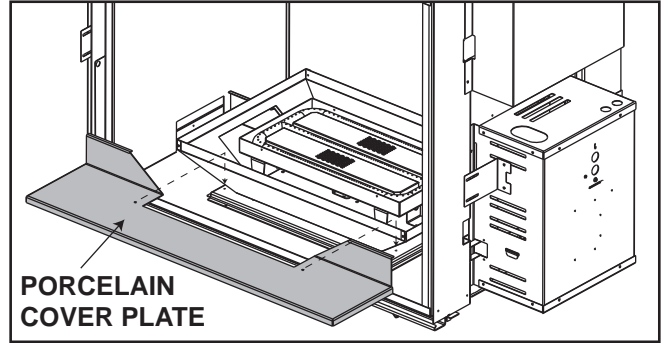
Over tightening the screws could break the lens. "Light Leakage" from the holes in the housing lamp may be observed. The holes in the lamp housing are necessary for ventilation and must not be covered.



2.5 PORCELAIN BASE INSTALLATION

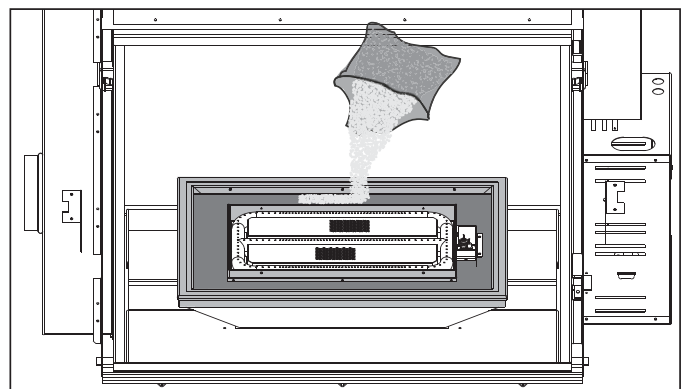
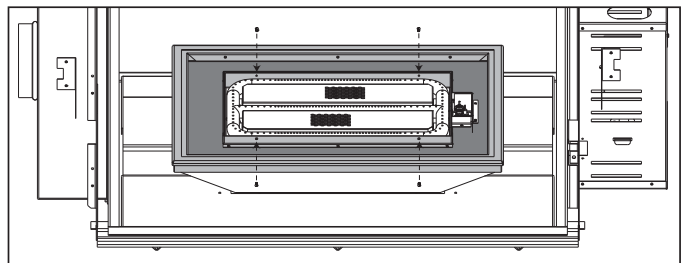
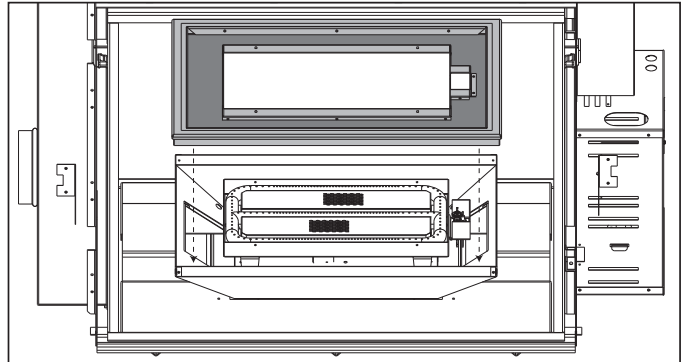
INSTALL IN THE FOLLOWING ORDER:

- A. Side porcelain panels or brick panels must be installed prior to porcelain base cover plates. For side porcelain panel installation see "PRP81 PORCELAIN REFLECTIVE RADIANT PANEL" leaflet and for brick panel installation see "GD844KT DECORATIVE BRICK PANEL - SANDSTONE" leaflet.
- B. Slide the porcelain cover plates through the front opening being careful not to scratch the porcelain panels. The cover plates must slide under the burner cover as shown. Secure to the burner base with the screws provided and repeat on other side. Porcelain wire shields sit on the cover plates as illustrated.



2.6 BURNER COVER INSTALLATION

- A. Lower the burner cover down onto the burner tray and porcelain base, making sure the pilot is properly seated through the slot on the right side.
- B. Attach burner cover with four screws as illustrated.
- C. Empty the sand into the burner tray. Spread the sand evenly over the burner tray.



2.7 ROCK INSTALLATION

 **WARNING**

REAL ROCKS MUST NOT BE USED IN THIS APPLIANCE. HEAT WILL CAUSE THEM TO EXPLODE.



- A. Position the two rock clusters in front of the center burner tube, ensuring the clusters are sitting flat on the burner and **making sure not to cover burner ports**.



- B. Place the large cut out rocks along the edge of the burner, **making sure not to cover any burner ports**. (There are no set locations).



- C. Position the four large rocks randomly along the front, **making sure not to cover burner ports**.



- D. Place the medium rocks randomly between the other rocks, **making sure not to cover the burner ports**.



- E. Position the remaining little rocks randomly, **making sure not to cover the burner ports**.

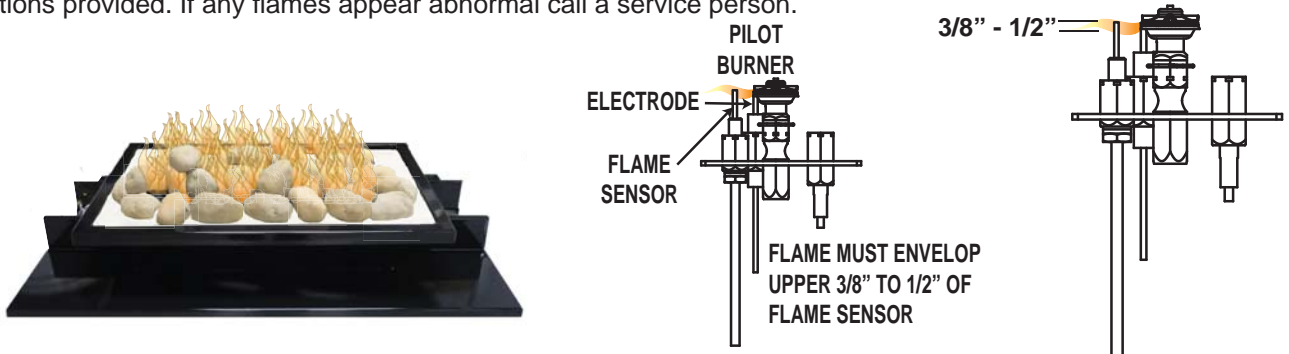


- F. Repeat on other side.

3.0 ADJUSTMENT

3.1 FLAME CHARACTERISTICS

It's important to periodically perform a visual check of the pilot and burner flames. Compare them to the illustrations provided. If any flames appear abnormal call a service person.



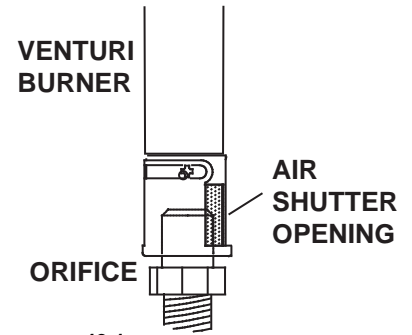
54.1

3.2 VENTURI ADJUSTMENT

This appliance has an air shutter that has been factory set open according to the chart below:

Regardless of venturi orientation, closing the air shutter will cause a more yellow flame, but can lead to carboning. Opening the air shutter will cause a more blue flame, but can cause flame lifting from the burner ports. The flame may not appear yellow immediately; allow 15 to 30 minutes for the final flame color to be established.

AIR SHUTTER ADJUSTMENT MUST ONLY BE DONE BY A QUALIFIED INSTALLER!



49.1

Air Shutter Openings both Burners	
LP	7/16"
NG	3/16"

4.0 REPLACEMENTS

Contact your dealer or the factory for questions concerning prices and policies on replacement parts. Normally all parts can be ordered through your Authorized dealer / distributor.

FOR WARRANTY REPLACEMENT PARTS, A PHOTOCOPY OF THE ORIGINAL INVOICE WILL BE REQUIRED TO HONOUR THE CLAIM.

When ordering replacement parts always give the following information:

- Model & Serial Number of appliance
- Installation date of appliance
- Part number
- Description of part
- Finish

*** IDENTIFIES ITEMS WHICH ARE NOT ILLUSTRATED. FOR FURTHER INFORMATION, CONTACT YOUR AUTHORIZED DEALER.**

WARNING

FAILURE TO POSITION THE PARTS IN ACCORDANCE WITH THIS MANUAL OR FAILURE TO USE ONLY PARTS SPECIFICALLY APPROVED WITH THIS APPLIANCE MAY RESULT IN PROPERTY DAMAGE OR PERSONAL INJURY.

— 41.1

COMPONENTS		
REF NO.	PART NO.	DESCRIPTION
1	W280-0071	NIGHT LIGHT LENS FRAME
2	W290-0080	NIGHT LIGHT GASKET
3	W300-0086	CERAMIC BLUE NIGHT LIGHT LENS
4	W350-0460	ROCK BURNER HOUSING
5	W100-0113	DOUBLE TUBE BURNER
6*	W175-0227	CONNECTOR, 3/8" STAINLESS STEEL FLEX
7*	W175-0289	CONNECTOR, 3/8" STAINLESS STEEL FLEX (24")
8*	W550-0007	FINE AGGREGATE
9	W010-1861	2-WAY NATURAL GAS PILOT ASSEMBLY
9	W010-1862	2-WAY PROPANE GAS PILOT ASSEMBLY
10	W565-0109	GLASS BURNER SCREEN
11	W120-0064	ROCK BURNER WIRE SHIELD
12	W750-0200	FLAME SENSOR
13	W750-0201	ELECTRODE
14	W455-0070	NATURAL GAS PILOT INJECTOR
14	W455-0065	PROPANE GAS PILOT INJECTOR
15*	W456-0034	#34 ORIFICE NATURAL
15*	W456-0054	#54 INSIDE ORIFICE PROPANE
15*	W456-0052	#52 OUTSIDE ORIFICE PROPANE
16	W200-0274	ROCK BURNER COVER

